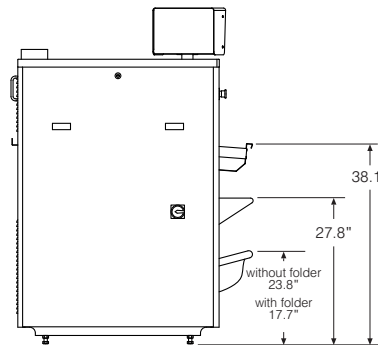
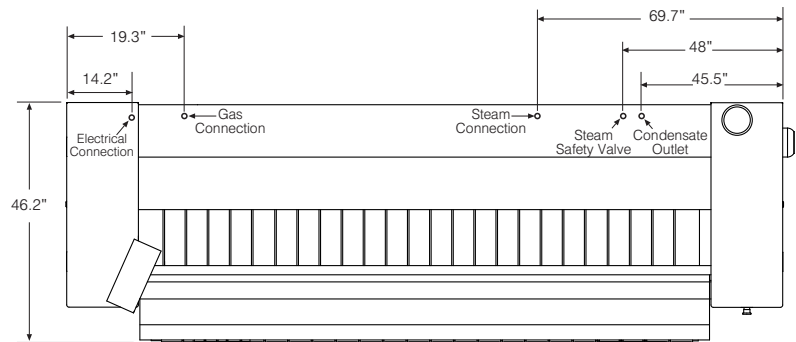
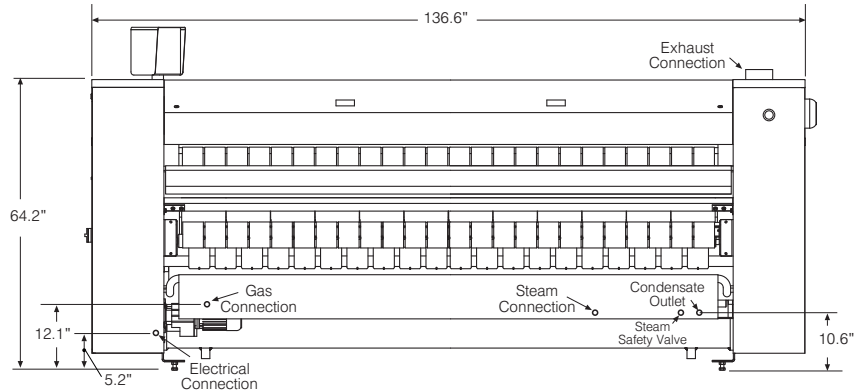


X20100

EXPRESS HEATED-ROLL IRONER

PRODUCT SPECS

Cylinder Diameter	inch	20.1
Usable Cylinder Width	inch	99.6
Evaporation Capability	gal/h	
Gas/Electric		10.57
Steam		14.79
Ironing Speed	ft/min (m/min)	4-49
Net Weight	lbs	
Gas/Electric	without folder	2788
	with folder	3069
Steam	without folder	3031
	with folder	3312
Crated Weight	lbs	
Gas/Electric	without folder	3439
	with folder	3775
Steam	without folder	3681
	with folder	4017
Machine Width	inch	136.6
Machine Depth	inch	46.2
Machine Height	inch	64.2
Feed Height	inch	40.6
Shipping Dimensions (WxDxH)	inch	
	without folder	142.1 x 45.5 x 71.9
	with folder	142.1 x 50.6 x 71.9
Motor Power	Hp	
Roller Motor		0.40
Extraction Motor		0.74
Exhaust Diameter	inch	5.1
Exhaust Air Flow	cfm	
Gas		564
Electric/Steam		634
Electric Heating	kW	
208/60/3		37.06
240/60/3		49.34
Gas Connection	inch	3/4 NPT
Gas Heating	BTU/h	
Natural		208,823
Propane		201,999
Gas Consumption	cfm	
Natural		3.81
Propane		9.95
Gas Pressure	inch wc	
Natural		7
Propane		11
Steam Connection	inch	1
Steam Condensate Outlet	inch	3/4 (19)
Steam Heating	BTU/h	221,789
Steam Consumption	lbs/h	254
Steam Pressure	PSI	116
Safety Valve Connection	inch	1
Circuit Protection	Amps	
Gas/Steam	208-240/60/1	10
Electric	208/60/3	160
	240/60/3	160
Full Load	Amps	
Gas/Steam	208-240/60/1	6.1
Electric	208/60/3	109
	240/60/3	125



* Specifications subject to change without notice or obligation. Contact Continental Girbau at (800) 256-1073 for dimensions not shown or for clarification.