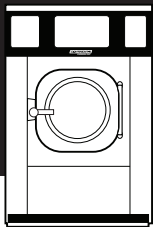




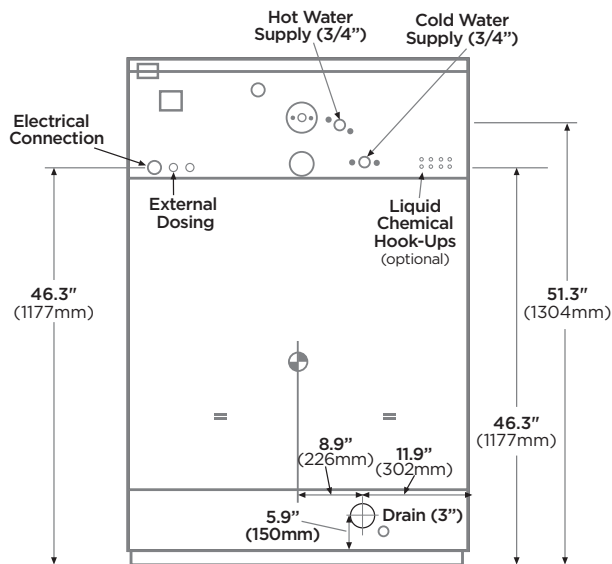
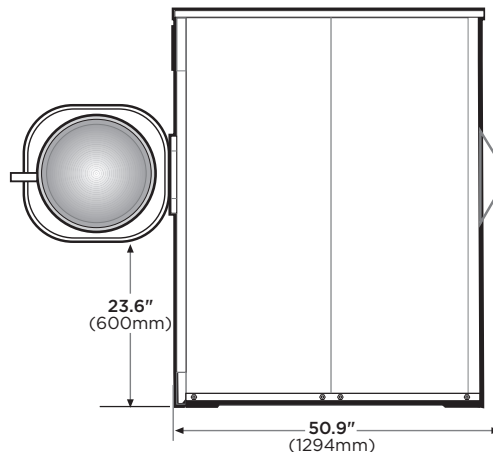
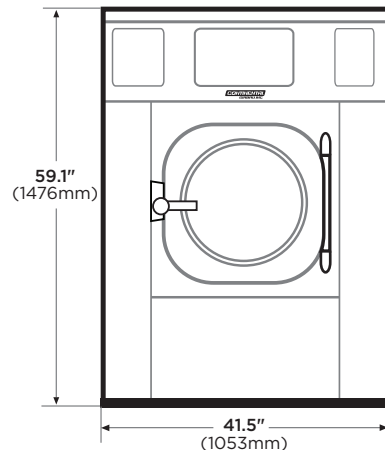
2500 State Road 44 • Oshkosh, WI 54904  
 920.231.8222 • FAX 920.231.4666  
[www.cgilaundry.com](http://www.cgilaundry.com)



# EH080

ON-PREMISE LAUNDRY E-SERIES 80-POUND CAPACITY  
 HIGH-PERFORMANCE WASHER-EXTRACTOR

Capacity <i>lbs (kg)</i>	80 (36.3)
Cylinder Diameter <i>inch (mm)</i>	32.5 (825)
Cylinder Depth <i>inch (mm)</i>	23.5 (598)
Cylinder Volume <i>cu ft</i>	11.3 (320)
Net Weight <i>lbs (kg)</i>	1499 (680)
Crated Weight <i>lbs (kg)</i>	1583 (718)
Machine Width <i>inch (mm)</i>	41.5 (1053)
Machine Depth <i>inch (mm)</i>	50.9 (1294)
Machine Height <i>inch (mm)</i>	59.1 (1500)
Door Opening <i>inch (mm)</i>	16.8 (426)
Floor to Door <i>inch (mm)</i>	23.6 (600)
Shipping Dimensions <i>inch (mm)</i> (WxDxH)	42.3 x 52 x 65.2 (1075 x 1320 x 1657)
Washing Speeds <i>rpm</i>	21/26/36/42
Spin Speeds <i>rpm</i>	83/335/530/698/931
G-force	3.17/52/130/225/400
Static Force Transmitted <i>lbs (kg)</i>	1850 (839)
Dynamic Force Transmitted <i>lbs (kg)</i>	412 (187)
Frequency of Dynamic Force <i>Hz</i>	15.5
Available Voltages/Wire Conductor/Amp	
Hot Water/Steam Auxiliary Heat	208/60/3, 3W+G, 15 Amp
Electric Auxiliary Heat (optional)	208-240/60/3, 3W+G, 60 Amp
Hot Water/Steam Auxiliary Heat	240/60/3, 3W+G, 15 Amp
Hot Water/Steam Auxiliary Heat	440-480/60/3, 3W+G, 10 Amp
Drain Diameter <i>inch (mm)</i>	3 (80)
Water Inlets <i>inch (mm)</i>	2 @ 3/4 (19)
Recommended Water Pressure <i>PSI (bar)</i>	30-60 (2-4)
Water Flow <i>gal/min (l/min)</i>	16 (60)
Steam Connection <i>inch (mm)</i>	1/2 (12.7)
Steam Pressure (optional) <i>PSI (bar)</i>	29-87 (2-6)
Steam Flow (optional) <i>lbs/h (kg/h)</i>	176 (80)
Total Power <i>kW</i>	4.2
Electric Heating Power (optional) <i>kW</i>	20.7



\* Specifications subject to change without notice or obligation. Contact Continental Girbau Inc for dimensions not shown or for clarification.